

APPROVAL SHEET

WK25V, WK20V, WK12V, WK08V, WK06V

±5%, ±2%, ±1%, ±0.5%

Thick Film High Voltage Chip Resistors

Size 2512, 2010, 1206, 0805, 0603

*Contents in this sheet are subject to change without prior notice.

FEATURE

1. Special material and design for high working voltage require.
2. Compatible with flow and reflow soldering
3. Suitable for lead free soldering.
4. High limiting voltage

APPLICATION

- Power supply
- Automotive industry
- Measurement instrument
- Back light inverter
- Medical or Military equipment

DESCRIPTION

The resistors are constructed in a high grade ceramic body (aluminum oxide). Internal metal electrodes are added at each end and connected by a resistive paste that is applied to the top surface of the substrate. The composition of the paste is adjusted to give the approximate resistance required and the value is trimmed to nominated value within tolerance which controlled by laser trimming of this resistive layer.

The resistive layer is covered with a protective coat. Finally, the two external end terminations are added. For ease of soldering the outer layer of these end terminations is a Tin (lead free) alloy.

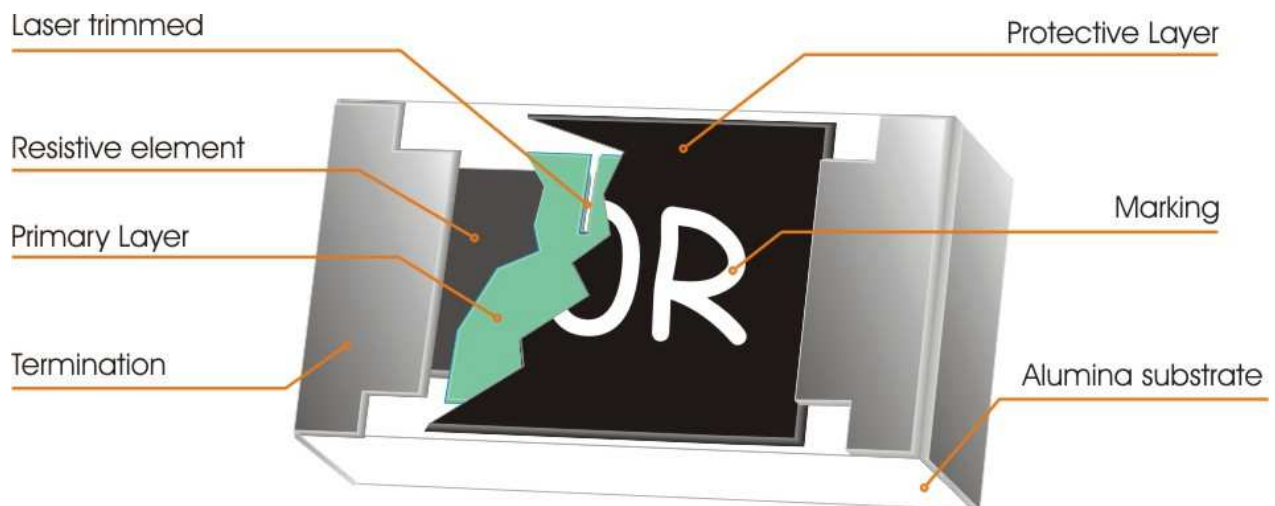


Fig 1. Construction of Chip-R

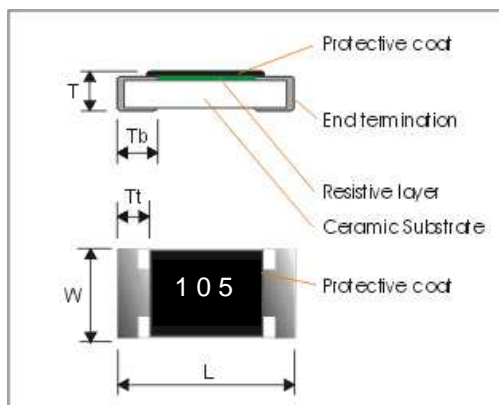
QUICK REFERENCE DATA

Item	General Specification				
Series No.	WK25V	WK 20V	WK12V	WK08V	WK06V
Size code	2512(6432)	2010 (5025)	1206 (3216)	0805 (2012)	0603 (1608)
Resistance Tolerance	±0.5%, ±1%, ±2%, ±5%,				
Resistance Range	±5%: 47Ω ~ 51MΩ ±1%, ±2%: 47Ω ~ 20MΩ ±0.5%: 47Ω ~ 10MΩ		±5%: 47Ω ~ 51MΩ ±0.5%, ±1%, ±2%: 47Ω ~ 10MΩ		47Ω ~10MΩ
TCR (ppm/°C)					
+500~ -200	47Ω ~ 97.6Ω	-	-	-	-
±200	100Ω ~ 549Ω	47Ω ~ 464Ω	47Ω ~ 97.6Ω	47Ω ~ 97.6Ω	47Ω ~ 464Ω
±100	560Ω ~ 51MΩ	470Ω ~ 51MΩ	100Ω ~ 51MΩ	100Ω ~ 51MΩ	470Ω ~ 10MΩ
Max. Dissipation at T _{amb} =70°C	1 W	1/2 W	1/4 W	1/8 W	1/10W
Max. Operation Voltage (DC or RMS)	800V	500V	500V	400V	200V
Max. Overload Voltage (DC or RMS)	1600V	1000V	1000V	800V	400V
Climatic category (IEC 60068)	55/155/56				

Note:

- This is the maximum voltage that may be continuously supplied to the resistor element, see "IEC publication 60115-8"
- Max. Operation Voltage : So called RCWV (Rated Continuous Working Voltage) is determined by

$$RCWV = \sqrt{\text{Rated Power} \times \text{Resistance Value}} \text{ or Max. RCWV listed above, whichever is lower.}$$

MECHANICAL DATA (unit : mm)

Symbol	WK25V	WK20V	WK12V	WK08V	WK06V
L	6.30 ± 0.15	5.00 ± 0.15	3.20 ± 0.15	2.00 ± 0.10	1.60 ± 0.10
W	3.20 ± 0.15	2.50 ± 0.150	1.60 ± 0.15	1.25 ± 0.10	0.80 +0.15/-0.05
T	0.550 ± 0.15	0.55 ± 0.15	0.55 ± 0.10	0.55 ± 0.10	0.45 ± 0.10
Tt	0.60 ± 0.20	0.60 ± 0.20	0.50 ± 0.25	0.40 ± 0.20	0.30 ± 0.10
Tb	0.60 ± 0.20	0.60 ± 0.20	0.50 ± 0.25	0.40 ± 0.20	0.30 ± 0.10

MARKING

For 5%, 1% E24 series, each resistor is marked with a three-digit code on the protective coating to designate the nominal resistance value.

For 1% E96 series, each resistor is marked with a four-digit code on the protective coating to designate the nominal resistance value.

For 1% E24/E96 overlapped values, each resistor is marked with three-digit code.

WK06V E96 has no marking!

Example:

105 = 1M Ω 1% , 5%, E24/E96

49R9 = 49.9 Ω 1%, E96

123 = 12K Ω 1%, 5%, E24

FUNCTIONAL DESCRIPTION

Product characterization

Standard values of nominal resistance are taken from the E24/E96 series for resistors with a tolerance of $\pm 1\%$, $\pm 5\%$. The values of the E24/E96 series are in accordance with "IEC publication 60063".

Derating curve

The power that the resistor can dissipate depends on the operating temperature; see Fig.2

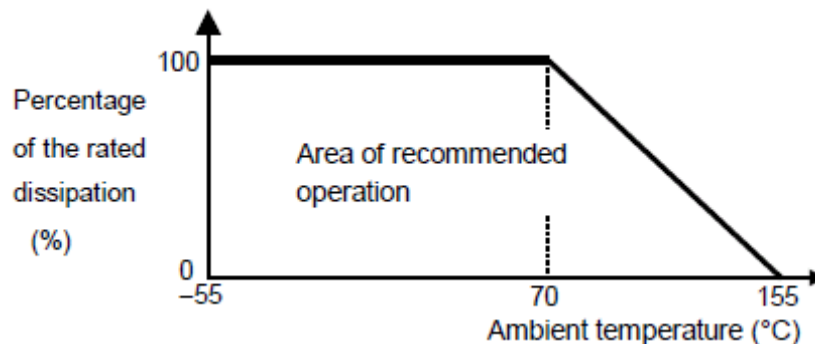


Figure 2 Maximum dissipation in percentage of rated power as a function of the ambient temperature

MOUNTING

Chip placement can be on ceramic substrates and printed-circuit boards (PCBs).

Electrical connection to the circuit is by individual soldering condition.

The end terminations guarantee a reliable contact.

SOLDERING CONDITION

The robust construction of chip resistors allows them to be completely immersed in a solder bath of 260°C for 10 seconds. Therefore, it is possible to mount Surface Mount Resistors on one side of a PCB and other discrete components on the reverse (mixed PCBs).

Surface Mount Resistors are tested for solderability at 235°C during 2 seconds. The test condition for no leaching is 260°C for 30 seconds. Typical examples of soldering processes that provide reliable joints without any damage are given in Fig 3.

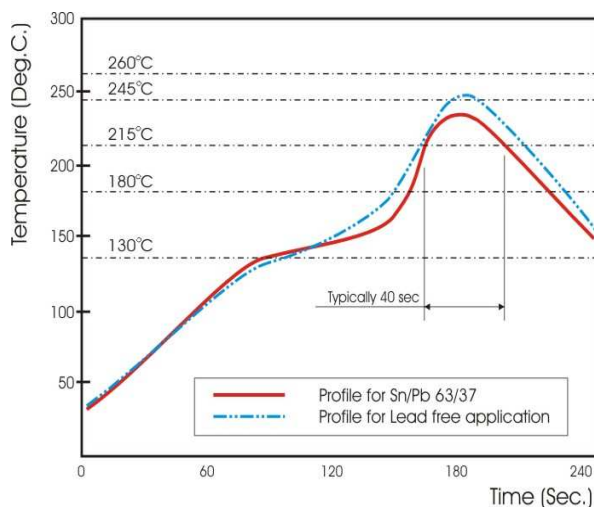


Fig 3. Infrared soldering profile

CATALOGUE NUMBERS

The resistors have a catalogue number starting with .

WK25	V	105	J	T	L
Size code	Type code	Resistance code	Tolerance	Packaging code	Termination code
WK25 : 2512 WK20 : 2010 WK12 : 1206 WK08 : 0805 WK06 : 0603	V :High Voltage	5%, E24: 2 significant digits followed by no. of zeros 100Ω = 101_ 10KΩ = 103 1%, E24+E96: 3 significant digits followed by no. of zeros 100Ω =1000 37.4KΩ =3742	J : ±5% G : ±2% F : ±1% D : ±0.5%	T : 7" inch reel 1206:paper tape, 5kpcs/reel 2010,2512 :plastic tape, 4kpcs/reel	L = Sn base (lead free)

Tape packaging WK12, WK08, WK06 : 8mm width paper taping 5,000pcs per reel.

WK25 ; WK20: 12mm width plastic taping 4,000pcs per reel.

TEST AND REQUIREMENTS(JIS C 5201-1 : 1998)

Essentially all tests are carried out according to the schedule of IEC publication 115-8, category **LCT/UCT/56**(rated temperature range : Lower Category Temperature, Upper Category Temperature; damp heat, long term, 56 days). The testing also meets the requirements specified by EIA, EIAJ and JIS.

The tests are carried out in accordance with IEC publication 68, "Recommended basic climatic and mechanical robustness testing procedure for electronic components" and under standard atmospheric conditions according to IEC 60068-1, subclause 5.3. Unless otherwise specified, the following value supplied :

Temperature: 15°C to 35°C.

Relative humidity: 45% to 75%.

Air pressure: 86kPa to 106 kPa (860 mbar to 1060 mbar).

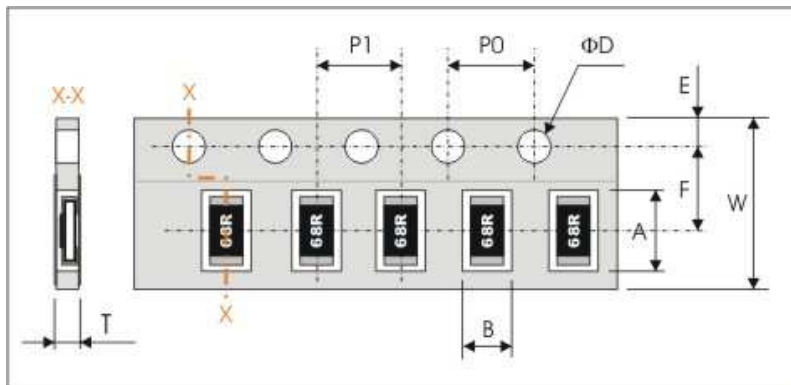
All soldering tests are performed with mildly activated flux.

TEST	PROCEDURE	REQUIREMENT
Temperature Coefficient of Resistance(T.C.R) Clause 4.8	Natural resistance change per change in degree centigrade. $\frac{R_2 - R_1}{R_1(t_2 - t_1)} \times 10^6 \text{ (ppm/°C)}$ R ₁ : Resistance at reference temperature R ₂ : Resistance at test temperature t ₁ : 20°C+5°C-1°C	Refer to "QUICK REFERENCE DATA"
Short time overload (S.T.O.L) Clause 4.13	Permanent resistance change after a 2 second application of a voltage 2.5 times RCWV or the maximum overload voltage specified in the above list, whichever is less.	No visible damage ΔR/R max. ±(1%+0.05Ω)
Resistance to soldering heat(R.S.H) Clause 4.18	Un-mounted chips completely immersed for 10±1second in a SAC solder bath at 260°C±5°C	no visible damage ΔR/R max. ±(1%+0.05Ω)
Solderability Clause 4.17	Un-mounted chips completely immersed for 2±0.5second in a SAC solder bath at 235°C±5°C	good tinning (>95% covered) no visible damage
Temperature cycling Clause 4.19	30 minutes at -55°C±3°C, 2~3 minutes at 20°C+5°C-1°C, 30 minutes at +155°C±3°C, 2~3 minutes at 20°C+5°C-1°C, total 5 continuous cycles	no visible damage ΔR/R max. ±(1%+0.05Ω)
Load life (endurance) Clause 4.25	1000 +48/-0 hours, loaded with RCWV or Vmax in chamber controller 70±2°C, 1.5 hours on and 0.5 hours off	no visible damage ΔR/R max. ±(5%+0.1Ω)
Load life in Humidity Clause 4.24	1000 +48/-0 hours, loaded with RCWV or Vmax in humidity chamber controller at 40°C±2°C and 95% relative humidity, 1.5hours on and 0.5 hours off	no visible damage ΔR/R max. ±(5%+0.1Ω)
Endurance at high temperature Clause 4.25.3	155°C, no load, 1000hours	no visible damage ΔR/R max. ±(5%+0.1Ω)
Bending strength Clause 4.33	Resistors mounted on a 90mm glass epoxy resin PCB(FR4), 2512, 2010 bending : 1 mm once for 10 seconds 1206, 0805, 0603 bending: 3mm once for 10 seconds	ΔR/R max. ±(1%+0.05Ω)
Adhesion Clause 4.32	Pressurizing force: 5N, Test time: 10±1sec.	No remarkable damage or removal of the terminations

TEST	PROCEDURE	REQUIREMENT
Insulation Resistance Clause 4.6	Apply the maximum overload voltage (DC) for 1minute	$R \geq 1G\Omega$
Dielectric Withstand Voltage Clause 4.7	Apply the maximum overload voltage (AC) for 1 minute	No breakdown or flashover

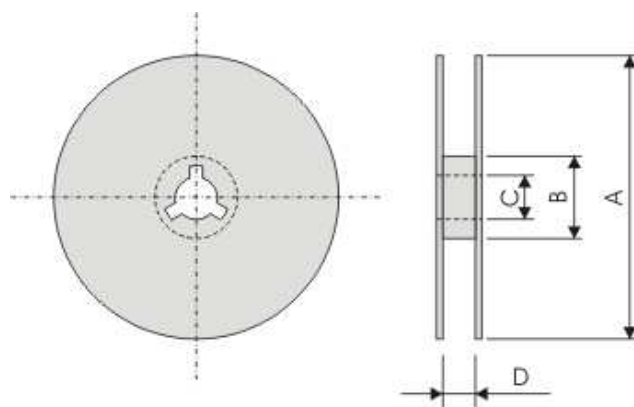
PACKAGING

Tape specifications (unit :mm)



Series No.	A	B	W	F	E
WK25V	6.90±0.20	3.60±0.20	12.00±0.30	5.50±0.10	1.75±0.10
WK20V	5.50±0.20	3.10±0.20			
WK12V	3.60±0.20	2.00±0.15	8.00±0.30	3.50±0.20	1.75±0.10
WK08V	2.50±0.20	1.65±0.15	8.00±0.30	3.50±0.20	1.75±0.10
WK06V	1.90±0.20	1.15±0.15	8.00±0.30	3.50±0.20	1.75±0.10
Series No.	P1	P0	ΦD	T	
WK25V	4.00±0.10	4.00±0.10	Φ1.50 ^{+0.1} _{-0.0}	1.1±0.15	
WK20V					
WK12V				Max. 1.0	
WK08V					
WK06V				Max. 0.8	

Reel dimensions



(unit : mm)

Reel / Tape	A	B	C	D
7" reel for 12mm tape	Φ180.0+0/-1.5	Φ60.0+1/0	13.0±0.2	13+1/0
7" reel for 8mm tape				9+1/0